



MS-40 MECHANICAL SWEEPER

104680/104682

All Seasons Equipment's response to the increasing demand for more production is a larger and more powerful sweeper.

The MS-40 Mechanical Sweeper, powered by a 9 H.P. Honda engine, offers superior sweeping efficiency with its wide brushes. It features an adjustable brush angle and an independent forward drive for enhanced operation.

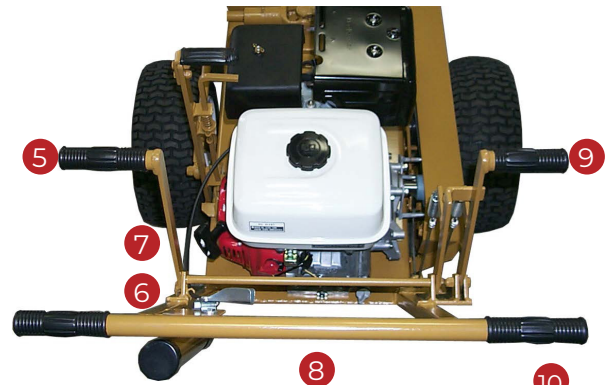
104680 - Poly Steel brush

104682 - Poly Coil brush



SEE THE BACK

1. The 9 H.P. Honda Engine provides tremendous power and dependability even in the toughest situations.
2. The horizontal shaft Honda engine and unique U-Joint drive prevents belt binding and breaking that is so common with vertical shaft engine, twisted belt system.
3. A differential drive and wide Turfsaver wheels provide maximum power output while allowing easy turning and maneuverability.
4. Poly-Coil Brush provides maximum material movement with minimal operator push back while Poly-Steel combination brushes offer a more aggressive alternative.
5. Brush and Wheel Engagement Lever.
6. Engine Throttle.
7. Recoil Engine Pull Starter.
8. Engine Start/Kill Switch.
9. Wheel Drive Engage Lever.
10. Brush Angle Control.



*Standard Poly-Steel brush shown.
 *Specifications are subject to change without notice.

SPECIFICATIONS							
Engine	Brush Width	Brush Diameter	Brush Angle	Wheels	Differential Drive	Dimensions	Weight
9 H.P. Honda	40"	19"	15° Each Way	16" x 650 Turfsaver	Standard	70" x 47" x 38"	350 lbs.