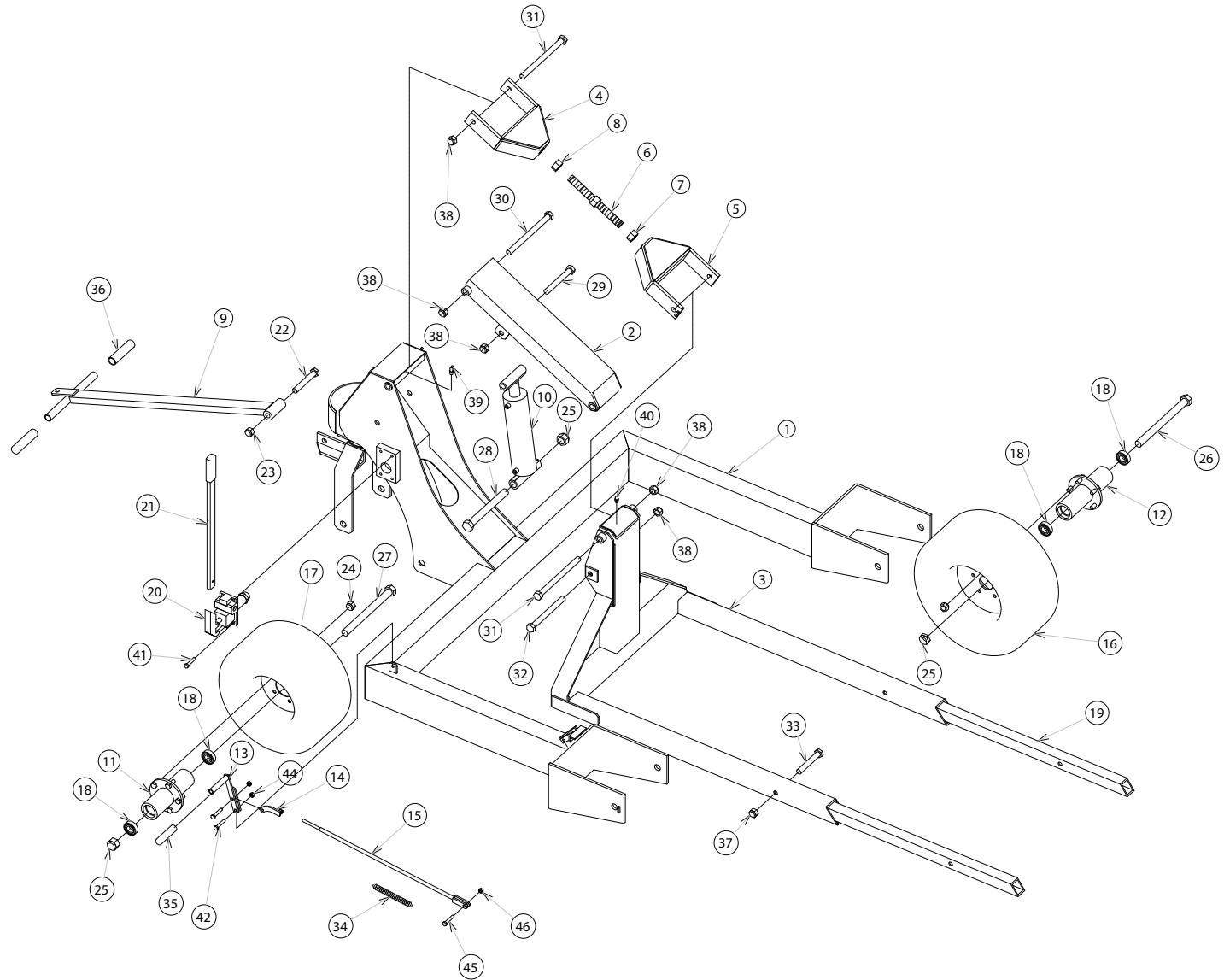


INDEX	NB.	DESIGNATION	REFERENCE
1	1	Main frame	203453
2	1	Main lift arm	203483
3	1	Lift forks	203456
4	1	Left hand adjustment rail	203462
5	1	Right hand adjustment rail	203465
6	1	Adjustment threaded rod	203468
7	1	Right hand 1" nut	204033
8	1	Left hand 1" nut	204250
9	1	Handlebar	203474
10	1	Main lift cylinder	203410
11	1	Hub--rear wheel	203480
12	2	Hub--front wheel	203477
13	1	Handle--brake	203486
14	1	Offset bracket	203489
15	1	Brake rod	203492
16	2	Front wheel	910333
17	1	Rear wheel 18x 850 x 8	910310
18	6	sealed bearing	203450
19	2	Extention fork	203459
20	1	Hydraulic pump	203420
21	1	Handle--Hydraulic pump	203425
22	1	Bolt 3/4" x 5"	905375
23	1	Nylon lock nut 3/4"	915545
24	15	Wheel nut 1/2"	910351
25	3	Thin nylon lock nut 1"	915550
26	2	Bolt 1" x 12"	915425
27	1	Bolt 1" x 10 7/8"	203415
28	1	Bolt 1" x 9"	203405
29	1	Bolt 3/4" x 6"	915380
30	1	Bolt 3/4" x 11"	203412
31	2	Bolt 3/4" x 10 1/4" spec	203403
32	1	Bolt 3/4" x 9"	203400
33	2	Bolt 5/8" x 3 1/2"	915302
34	1	Spring--5" extension	910205
35	1	Plastic grip 3/4	909050
36	2	Plastic grip--1"	909051
37	2	Nylon lock nut--5/8"	915510
38	5	thin nylon lock nut 3/4"	915546
39	1	Grease nipple 1/4 x 45deg	909995
40	1	Grease nipple 1/4 straight	910001
41	4	Allen Bolt 8mm x 1.24 x 19mm supplied with pump	-
42	2	Bolt 3/8 x 1 1/4	915105
43	0	not used	-
44	3	nylon lock nut 3/8"	915460
45	1	bolt 3/8 x 1 1/4	915105
46	1	Nylon lock nut 3/8"	915160



ALL SEASONS EQUIPMENT	
TUFFJACK	
	TONY LEAL
OCT/08	HAND TRUCK-PARTS.DFT
DATE	DRAWN
PARTS BRAKE DOWN	