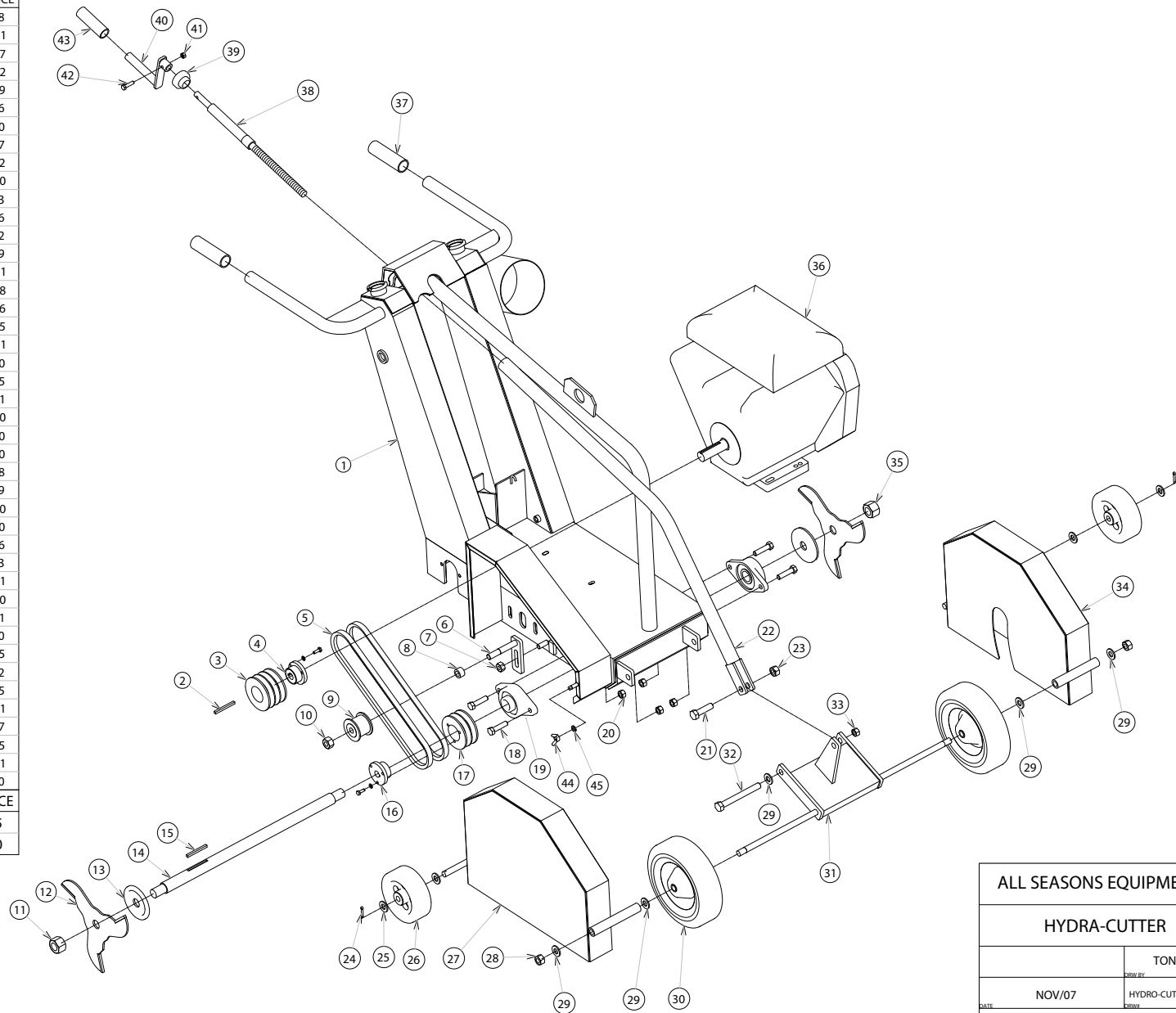


INDEX	NB.	DESIGNATION	REFERENCE
1	1	main frame	204368
2	1	key	911361
3	1	engine pulley	911137
4	1	bushing for pulley	911102
5	2	kevlar "B" belts	911039
6	1	idler bracket	204366
7	1	nylon lock nut	915490
8	1	spacer tube	204367
9	1	idler pulley	911252
10	1	nylon lock nut	915510
11	1	nut Right hand thread	204033
12	2	tri-blade x 12"	204026
13	4	4" washer	204032
14	1	cutter shaft	204369
15	1	key	911361
16	1	bushing	911108
17	1	pulley	911136
18	4	bolt	915215
19	2	flange bearing	911211
20	4	nylon lock nut	915490
21	1	bolt	915285
22	1	cutting depth adjustment arm	204371
23	1	nylon lock nut	915510
24	2	cotter pin	915800
25	4	flatwasher	915570
26	2	wheel 6X2 PLASTIC	910328
27	1	right side blade cover	204379
28	2	nylon lock nut	915510
29	6	flat washer 5	915570
30	2	wheels 10 x 2.75	910326
31	1	hight adjustment swivel bracket	204373
32	1	bolt	915341
33	1	nylon lock nut	915510
34	1	left side blade cover	204381
35	1	nut right hand thread	204250
36	1	gas engine	109805
37	2	plastic handle grips	909052
38	1	threaded rod -cutting depth adjustment	204375
39	1	bearing	911221
40	1	handle	204377
41	1	nylon lock nut	915455
42	1	bolt	915061
43	1	plastic grip	909050
INDEX	NB.	DESIGNATION	REFERENCE
44	1	wingnut	915465
45	1	lockwasher	915640



ALL SEASONS EQUIPMENT	
HYDRA-CUTTER	
DESIGNED BY	TONY LEAL
DATE	NOV/07
DRAWN BY	HYDRO-CUTTER-PARTS.DFT
PARTS	