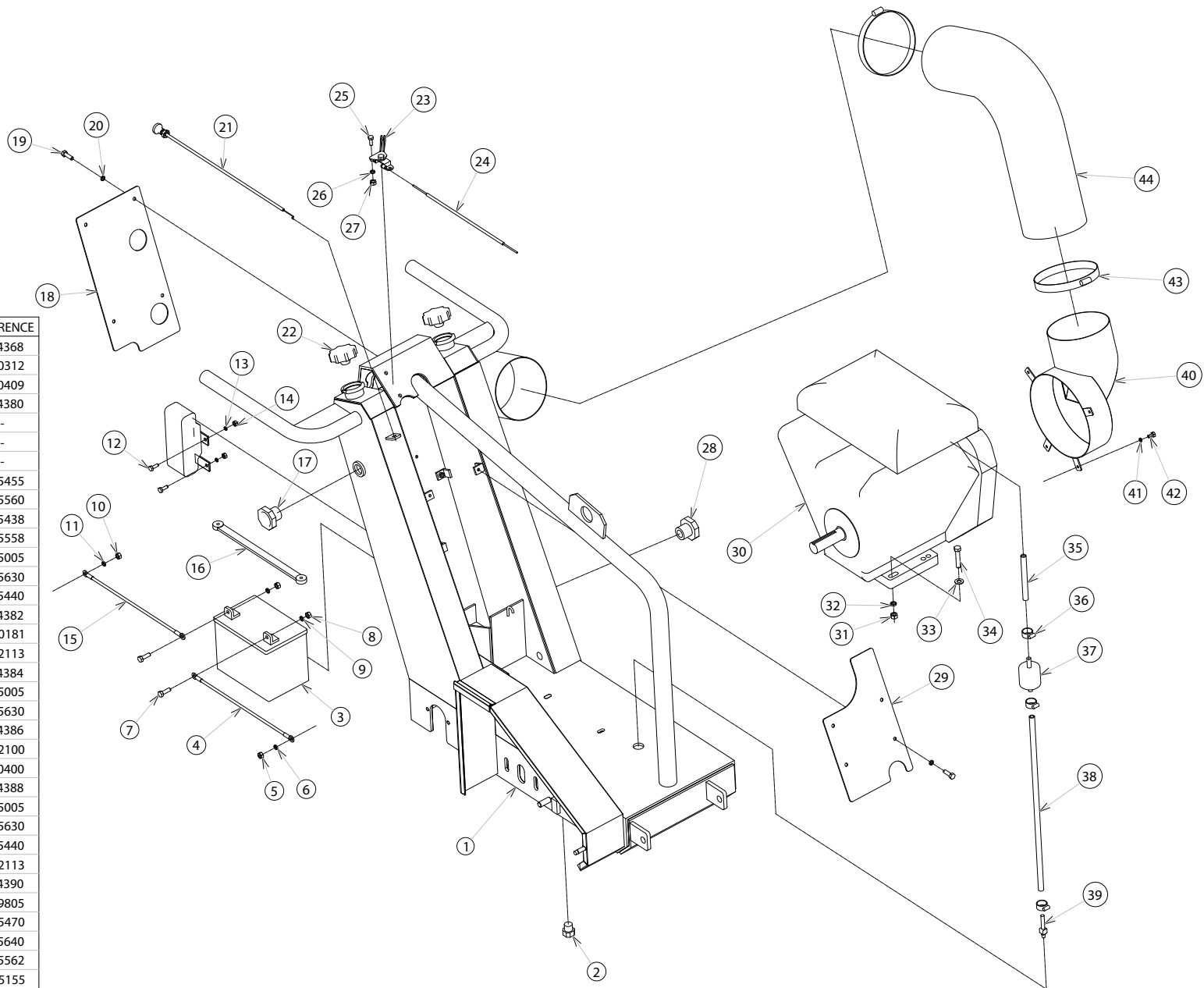


INDEX	NB.	DESIGNATION	REFERENCE
1	1	main frame	204368
2	1	plug	500312
3	1	battery	910409
4	1	power battery cable	204380
5	1	nut --supplied with engine	-
6	1	lockwasher --on engine	-
7	2	carriage bolt	-
8	2	nylon lock nut	915455
9	2	flat washer	915560
10	1	nylon lock nut	915438
11	1	flatwasher	915558
12	2	bolt	915005
13	2	lockwasher	915630
14	2	nut	915440
15	1	ground battery cable	204382
16	1	rubber bungie cord	350181
17	1	sight level gauge-hyd-oil	912113
18	1	back cover	204384
19	8	bolt	915005
20	8	lockwasher	915630
21	1	choke cable	204386
22	2	filler breather	912100
23	1	accelerator lever	910400
24	1	accelerator cable casing	204388
25	2	bolt	915005
26	2	lockwasher	915630
27	2	nut	915440
28	1	sight level gauge-fuel	912113
29	1	front cover	204390
30	1	gas engine c/w muffler	109805
31	4	nut	915470
32	4	lockwasher	915640
33	4	flatwasher	915562
34	4	bolt	915155
35	1	fuel hose	350130
36	3	hose clamp	506040
37	1	fuel filter	909003
38	1	fuel hose	204392
39	1	barbed hose adaptor	912275
40	1	breather housing	204394
41	4	lockwasher --on engine	-
42	4	bolt--on engine	-
43	2	gear clamp	507110
44	1	breather hose	204396



ALL SEASONS EQUIPMENT	
HYDRA-CUTTER	
REV BY	TONY LEAL
NOV/07	HYDRO-CUTTER-PARTS3.DFT
DATE	REV
PARTS	