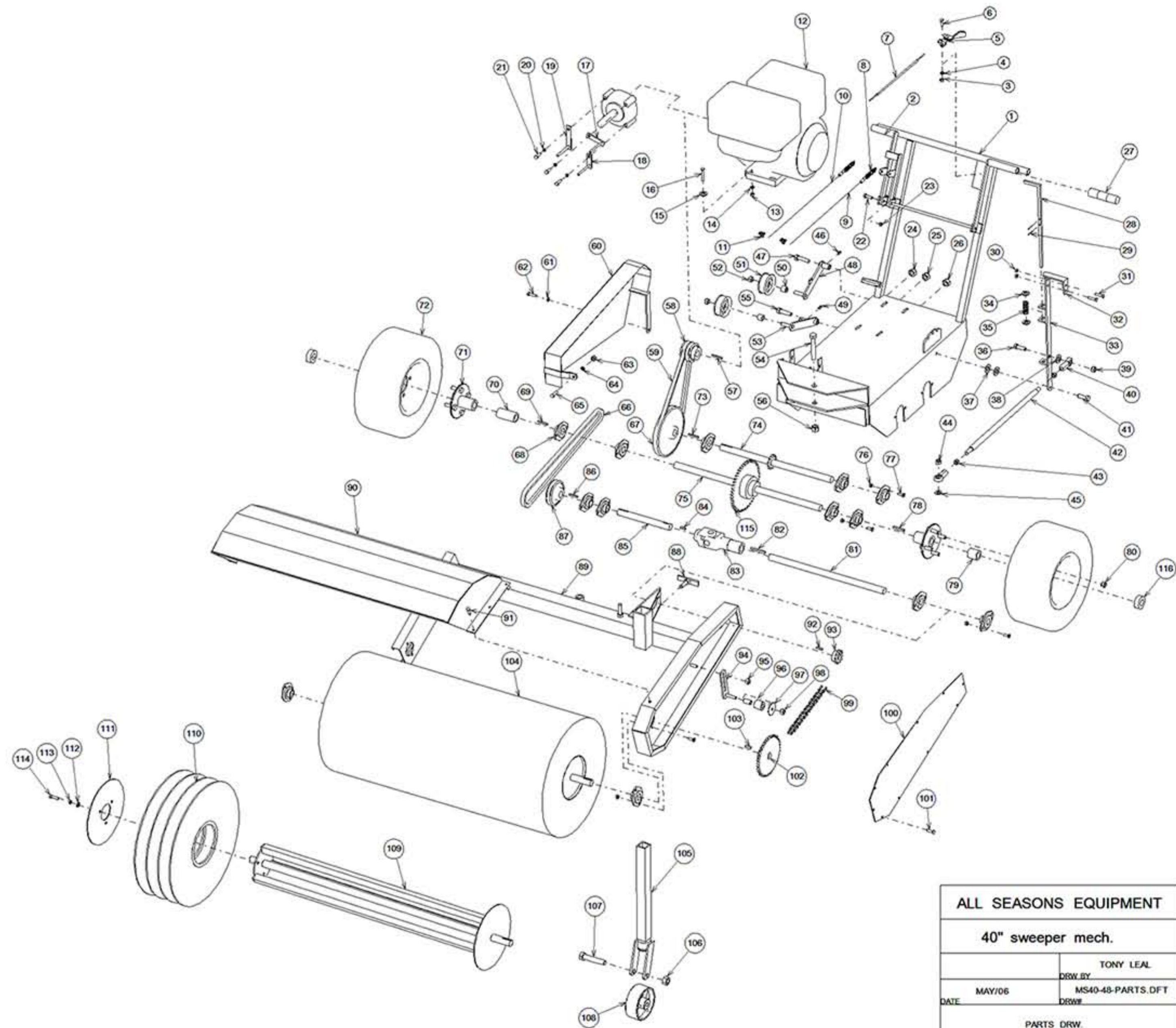


INDEX	NB	DESIGNATION	REFERENCE
1	1	Sweeper main frame	204835
2	1	Control lever for wheel drive	204840
3	2	nut 1/4"	915440
4	2	lock washer 1/4"	915630
5	1	Accelerator lever	910400
6	2	Bolt 1/4" x 3/4"	915005
7	1	Accelerator cable & wire	204845
8	2	Short extention spring-plated	910203
9	1	Cable control-sweeper brush	204850
10	1	Cable control -wheel drive	204855
11	2	Cable clamps 1/8"	202053
12	1	Honda engine GX270HX	109300
13	4	nut 3/8"	915470
14	4	Lock washer 3/8"	915640
15	4	Flat washer 3/8"	915562
16	4	Bolt 3/8 x 2"	915135
17	1	Guide bracket-belt	204725
18	1	Guide bracket -Belt	204730
19	1	Guide bracket-Belt	204735
20	3	Lock washer 5/16"	915635
21	3	Bolt 5/16" x 1" fine thread	915053
22	1	Bolt 3/8" X 1 1/4"	915105
23	1	Nylon lock nut 3/8	915471
24	1	Nylon lock nut 1/2"	915490
25	1	Nylon lock nut 1/2"	915490
26	1	Nylon lock nut 1/2"	915490
27	4	Plastic grip 1"	909051
28	1	Angling lock bar	204740
29	2	Colter pin 1/8"	915800
30	2	Nylon lock nut 5/16"	915455
31	2	Bolt 5/16 x 1"	915045
32	1	Handle -angling lock system	204745
33	1	Lever-Angling lock system	204750
34	2	Flat washer 1/2"	915565
35	1	Compression spring #B-688	204825
36	1	Bolt 1/2 x 1 1/2"	915215
37	2	Flat washer 1/2"	915565
38	1	Flat washer 1/2"	915565
39	1	Nylon lock nut 1/2	915490
40	2	Rod end 1/2" female	202670
41	1	Bolt 1/2 x 2"	915225
42	1	Threaded rod -angling system	204755
43	2	nut 1/2" fine tread	915495
44	1	Nylon lock nut 1/2"	915490
45	1	Flat washer 1/2"	915565
46	1	Grease nipple straight	910001
47	1	Bolt 1/2" x 2 1/4"	915230
48	1	Clutch arm-wheel drive	204760
49	1	Grease nipple straight	910001
50	2	Spacer tube	204765
51	2	Idler pulley Black nylon 1/2"	911250
52	2	Nylon lock nut 1/2"	915490
53	1	Clutch arm-sweeper drive	204770
54	1	Bolt 3/4" x 4 1/2"	915372
55	1	Bolt 1/2" x 2 1/2"	915235
56	1	Nylon lock nut 5/8"	915545
57	1	Key 1/4" x	911361

INDEX	NB	DESIGNATION	REFERENCE
58	1	Pulley 2mb30 x 1"	911132
59	1	V belt B42	911042
60	1	Belt cover	204775
61	1	Lock washer 5/16"	915635
62	1	Bolt 5/16 x 1"	915045
63	1	Nut 5/16"	915450
64	1	Lock washer 5/16"	915635
65	1	Bolt 5/16" x 1"	915045
66	1	V belt B489	911049
67	1	Pulley MB90 x 1"	911191
68	13	Bearing Flangett x 1"	911220
69	1	Key 1/4" x	911361
70	1	Spacer tube 1"ID X 2 3/8"long	204780
71	2	Wheel hub-4 Bolt	204830
72	2	Complete wheel 16 x 650 x 8	910340
73	1	Key 1/4" x	911361
74	1	Drive shaft-Small gear	204690
75	1	Differential without Gear	204693
76	26	Nylon lock nut 5/16"	915455
77	26	Carnage bolt 5/16 x 3/4"	915030
78	1	Key 1/4" x	911361
79	1	Spacer tube	204785
80	8	Wheel nut 1/2"	910351
81	1	Long shaft-sweeper drive	204790
82	1	Key 1/4" x	911361
83	1	U joint	204652
84	1	Key 1/4" x	911361
85	1	Short shaft-Sweeper drive	204795
86	1	Key 1/4"	911361
87	1	Pulley MB50 x 1"	911151
88	2	Wing bolt-Hight adjustment	206344
89	1	Frame- brush drive	204800
90	1	Cover-Brush	204805
91	6	Self taping srews 1/4" x 1/2"	915000
92	1	Key 1/4" x	911361
93	1	Sprocket 40b17 x 1"	911305
94	1	Chain tensioning bracket	204810
95	1	Nylon lock nut 3/8"	915460
96	1	Chain tensioning Idler	204651
97	1	Fender washer 3/8" x 1 1/2"	915700
98	1	Nylon lock nut 3/8"	915460
99	1	Drive chain #40 x 59"	204691
100	1	Cover-chain drive housing	204815
101	10	Self taping srew 1/4" x 1/2"	915000
102	1	Sprocket 40B40 x 1"	911310
103	1	Key 1/4" x	911361
104	1	Poly coil replacement brush	204681
105	2	Leg-hight adjustment	204820
106	2	Nylon lock nut 5/8"	915510
107	2	Bolt 5/8" x 4"	915303
108	2	wheel-5" x 2 steel	910325
109	1	Brush drive core-Poly steel	204683
110	1	Poley steel repacement brush	204680
111	1	End plate -Brush core	204635
112	3	Flat washer 3/8"	915562
113	3	Lock washer 3/8"	915640
114	3	Bolt 3/8 x 1"	915095
115	1	Large drive gear	204689
116	2	Colter 1"	910303



ALL SEASONS EQUIPMENT	
40" sweeper mech.	
DATE	TONY LEAL
MAY/06	DRW BY
	MS40-48-PARTS.DFT
	DRW#
PARTS DRW.	