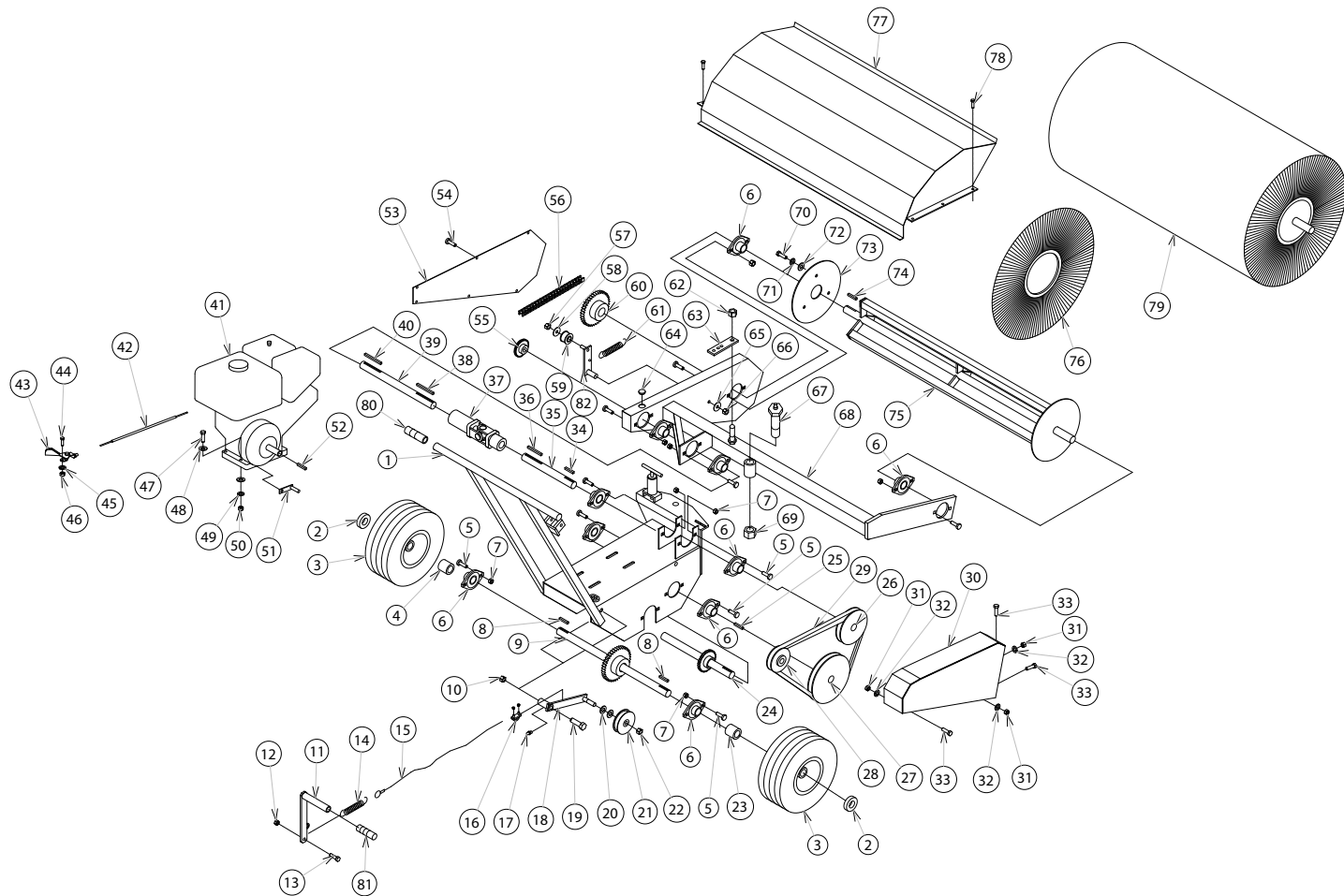


INDEX	NB.	DESIGNATION	REFERENCE
1	1	Main frame-power unit	204605
2	2	coller 1"	910303
3	2	wheel-turf saver 4.10/3.50-4 1"keyed hub	910323
4	1	Spacer tube-1 1/4"od x .100 x 3/4	204630
5	20	Carriage bolt 5/16 x 3/4"	915030
6	10	Bearing 58205-16 c/w flangette	911220
7	20	Nylon lock nut 5/16	915455
8	2	key 1/4" x	911361
9	1	Large change gear shaft 119 teeth	204627
10	1	Nylon lock nut 1/2"	915490
11	1	Clutch handle	204670
12	1	Nylon lock nut 3/8"	915460
13	1	Bolt 3/8" X 1 1/4"	915105
14	1	Extention spring-2 1/4"	910204
15	1	Cluch cable 1/8 x 28 1/2 c/w 1/8 oval	204661
16	1	Cable clamp 1/8	202053
17	1	Grease nipple straight	910001
18	1	Clutch arm	204665
19	1	Bolt 1/2" x 2 3/4"	915240
20	2	Flat washer 1/2"	915565
21	1	idler pulley x 1/2"	911250
22	1	Nylon lock nut 1/2"	915490
23	1	Spacer tube 1 1/4od x .100 x 1 1/8"	204632
24	1	Small change gear shaft 33 teeth	204628
25	1	Key 1/4"	911361
26	1	Pulley -Brush drive- Mb40 x 1"	911151
27	1	Pulley-Wheel drive-MB70 x 1"	911171
28	1	Pulley-engine shaft-Mb30 x 3/4	911127
29	1	V belt B41	911041
30	1	Belt cover	204603
31	3	Nut 5/16	915450
32	3	Lock washer 5/16"	915635
33	3	Bolt 5/16 x 1"	915050
34	1	Key 1/4"	911361
35	1	Power transfer shaft-Short	204613
36	1	Key 1/4"	911361
37	1	Universal slip joint	204652
38	1	Key 1/4"	911361
39	1	Power transfer shaft-Long	204612
40	1	Key 1/4"	911361
41	1	Engine-GX160 HX	109200
42	1	Accelerator cable	204675
43	1	Accelerator lever	910400
44	2	Bolt 1/4 x 3/4	915005
45	2	Lock washer 1/4	915630
46	2	Nut 1/4	915440
47	4	Bolt 5/16" x 1 3/4"	915063
48	8	Flat washer 5/16 "	915560
49	4	Lock washer 5/16"	915635
50	4	Nut 5/16"	915450
51	1	Bracket -belt guide	204620
52	1	Key 3/16 x	911360
53	1	Cover-chain drive system	204606
54	6	Self tapping screw 1/4 x 1/2"	915000
55	1	Sprocket- 40B12 x 1"	911300
56	1	Drive Chain #40 x 50"long c/w link	204610
57	1	Nylon lock nut 3/8 thin style	915471
58	1	Fender washer 3/8 x 1 1/2"	915700
59	1	Nylon idler wheel c/w bushing	204651
60	1	Sprocket -Brush drive-40B40 x 1"	911310
61	1	Spring-2 1/4" extention	910204
62	1	Nylon lock nut 1/2"	915490
63	1	Angle lock selector bar	204608
64	1	Hole plug x 1"	910458
65	1	Flat washer 3/8"	915562
66	1	Nylon lock nut 3/8"	915460
67	1	Grease Bolt - 3/4 x 4 1/2 c/w nylon lock nut	204611
68	1	Brush drive Main frame	204604
69	1	Nylon lock nut 3/4"	915545
70	3	Bolt 5/16 x 1"	915050
71	3	Lock washer 5/16	915635
72	3	Flat washer 5/16"	915560
73	1	End plate-Brush drive core	204635
74	1	Key 1/4"	911361
75	1	Brush drive core -- poly steel brush system	204638
76	1	brush zig-zag 2pcs-straight,13pcs metal.5pcs poly zig zag	204636
77	1	Brush cover	204601
78	6	Screw self tapping 1/4" x 1/2"	915000
79	1	Brush-Poly coil	204639
80	2	Plastic grip-1"	909051
81	1	Plastic grip-1"	909051
82	1	Bracket -Chain tensioner	204645



ALL SEASONS EQUIPMENT	
36" MECHANICAL SWEEPER	
BOM#104600, 104601	TONY LEAL
DATE: MAR/06	DRAWN: 36-SWEEPER.PRT.DWT
36" SWEEPER PARTS	